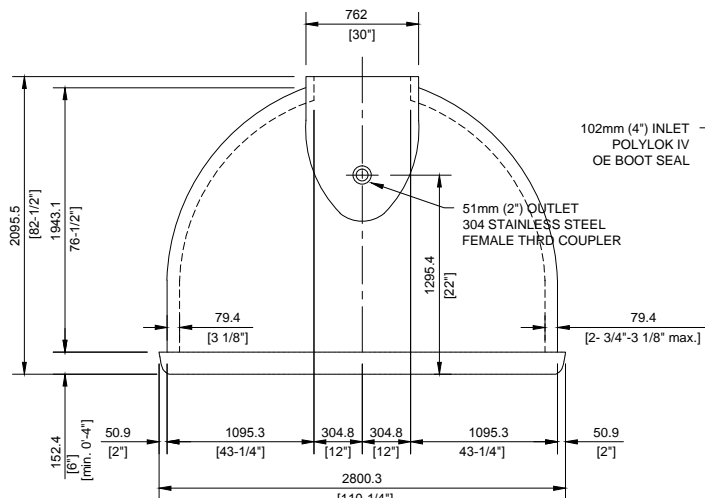
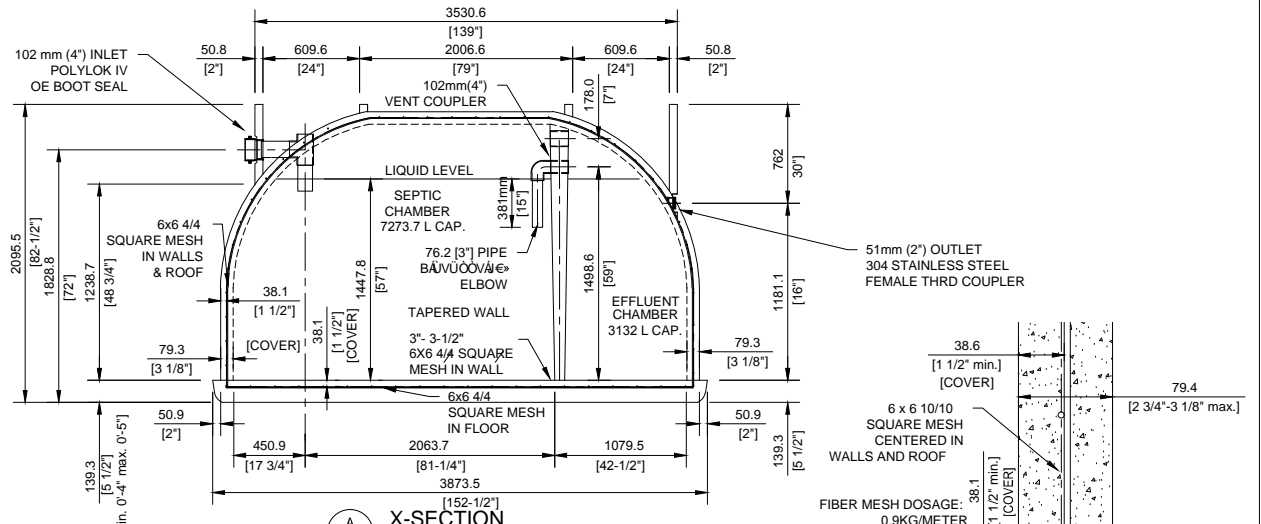


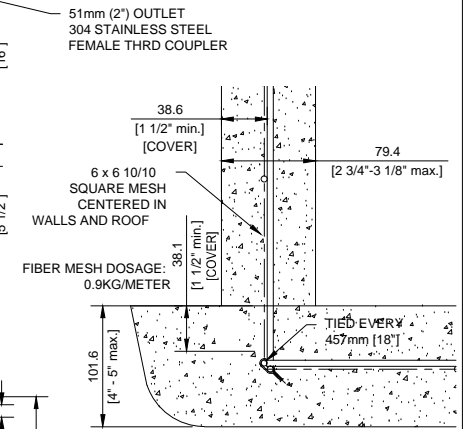
**RIGHT END VIEW**



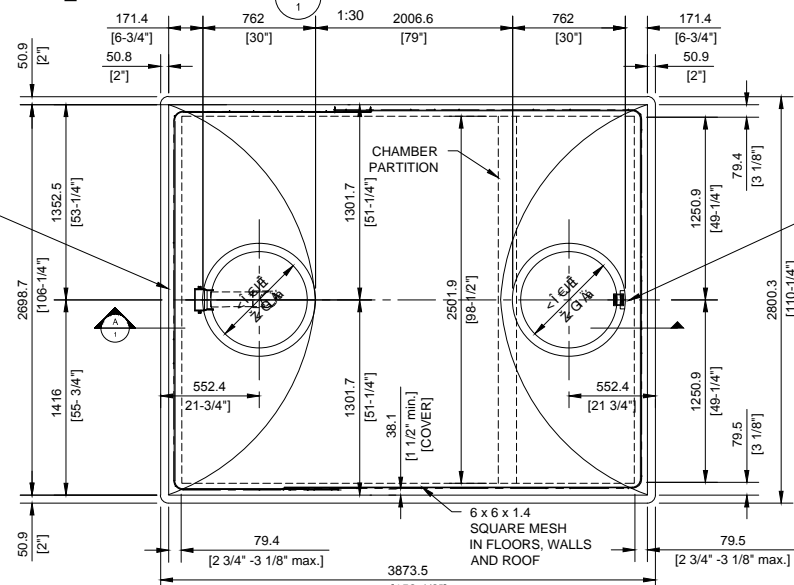
**LEFT END VIEW**



**X-SECTION**



**REINFORCEMENT DETAIL**



**PLAN VIEW**



**PEMBINA CONCRETE PRODUCTS LTD.**

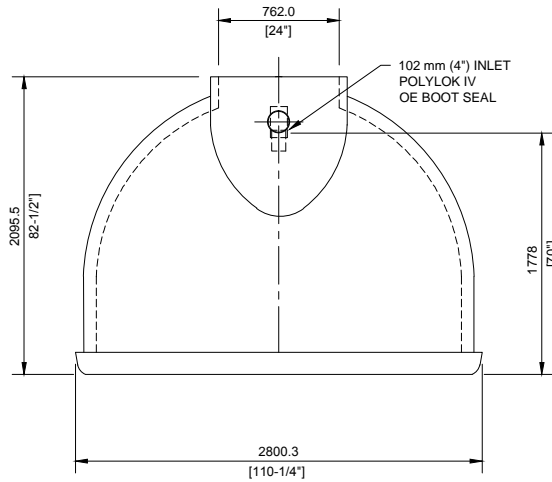
**WC 1600 (7273 l working cap)**

Form By	PROJECT No.	Scale	Drawing Number	Rev.
CGC	12109	1:30		A

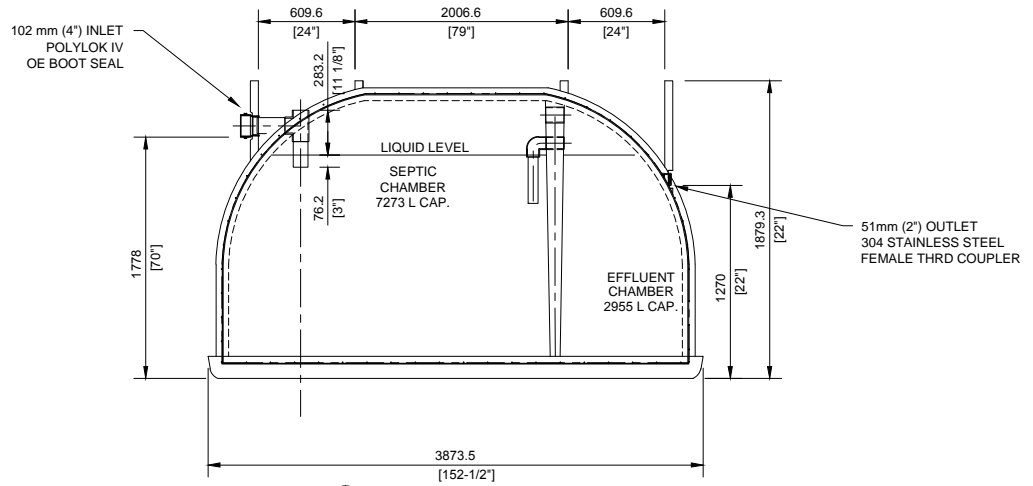
**FABRICATION NOTES:**

THIS DRAWING IS THE PROPERTY OF DDI DRAFTING SERVICES AND THEIR CLIENTS. ANY REPRODUCTION IN WHOLE OR PART WITHOUT THE EXPRESS WRITTEN CONSENT IS PROHIBITED.

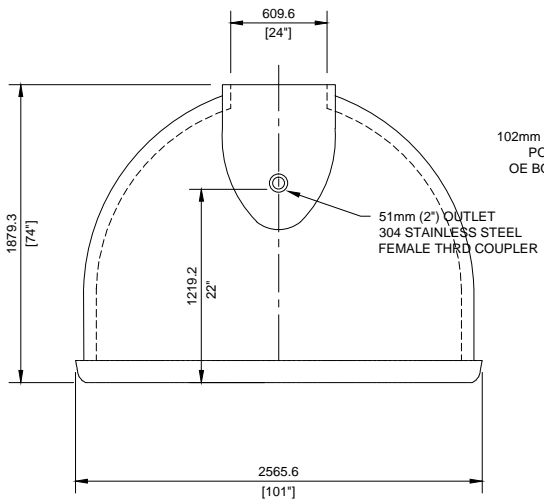
MODEL:	WC 1600	TOTAL CAP:	10227 LITRES	WORKING CAP:	7273 LITRES	CONCRETE SPECIFICATIONS
CSA APPROVED	IMP. METRIC	IMP. METRIC	IMP. METRIC	IMP. METRIC	IMP. METRIC	MINIMUM STRENGTH:
WIDTH:	110-1/4"	2800 mm	INLET HEIGHT:	70"	1778 mm	FIBER REINFORCEMENT:
LENGTH:	152-1/2"	3873 mm	OUTLET HEIGHT:	51"	1295 mm	CEMENT TYPE:
HEIGHT:	82-1/2"	2095 mm	WEIGHT:	18739 lbs	8500 kg	WATER TO CEMENT RATIO:
MAX. BURIAL DEPTH:	3.04m	SERIAL #:		DATE:		AIR ENTRAINMENT:



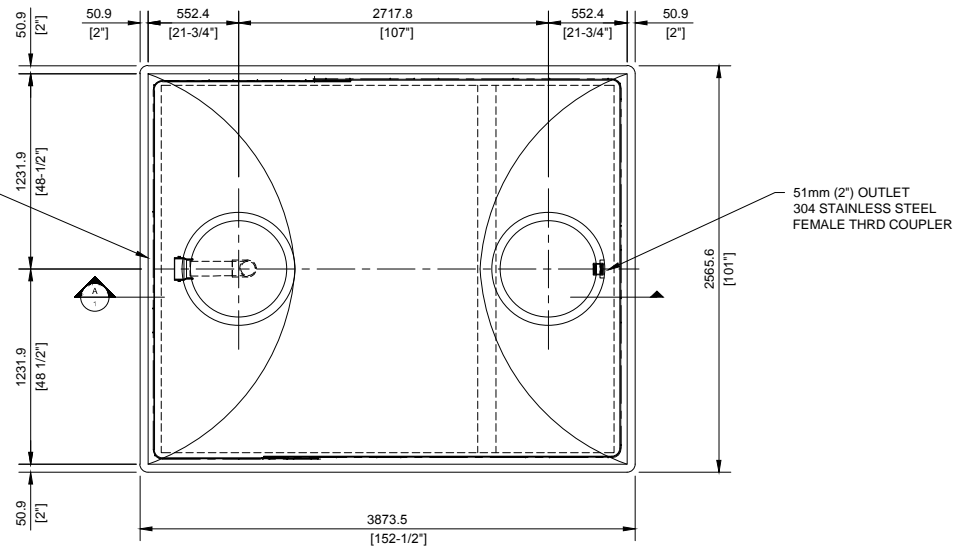
**RIGHT END VIEW**



**X-SECTION**  
1:30



**LEFT END VIEW**



**PLAN VIEW**



**PEMBINA CONCRETE PRODUCTS LTD.**

WC 1600 (7273 l working cap.)

Form By	PROJECT No.	Scale	Drawing Number	Rev.
CCG	12109	1:30		A

FABRICATION NOTES:

THIS DRAWING IS THE PROPERTY OF DDI DRAFTING SERVICES AND THEIR CLIENTS. ANY REPRODUCTION IN WHOLE OR PART WITHOUT THE EXPRESS WRITTEN CONSENT IS PROHIBITED.

MODEL:	WC 1600		TOTAL CAP:	10227 LITRES		WORKING CAP:	5230 LITRES	
CSA APPROVED	IMP.	METRIC	IMP.	METRIC	IMP.	METRIC	IMP.	METRIC
WIDTH:	110-1/4"	2800 mm	INLET HEIGHT:	70"	1778 mm	LIQUID DEPTH:	57"	1447 mm
LENGTH:	152-1/2"	3873 mm	OUTLET HEIGHT:	22"	1270 mm	FLUSH VOL.:	NA	
HEIGHT:	82-1/2"	2095 mm	WEIGHT:	18739 lbs	8500 kg	MAX. COVER:	*	mm
MAX. BURIAL DEPTH:	mm		SERIAL #:			DATE:		

CONCRETE SPECIFICATIONS	
MINIMUM STRENGTH:	32 mPa
FIBER REINFORCEMENT:	SIKA PPF
CEMENT TYPE:	GUB-30f
WATER TO CEMENT RATIO:	0.35
AIR ENTRAINMENT:	5 - 8%