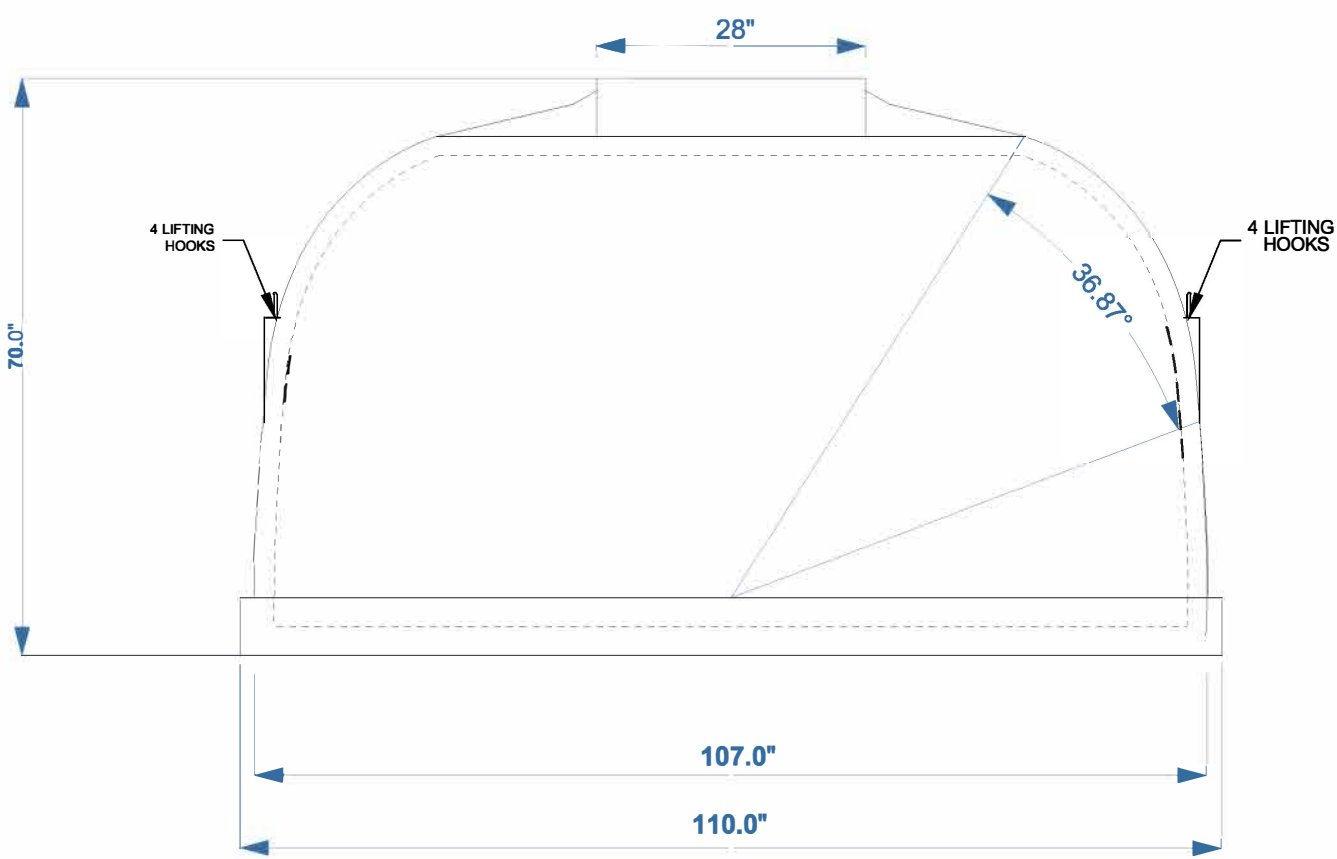
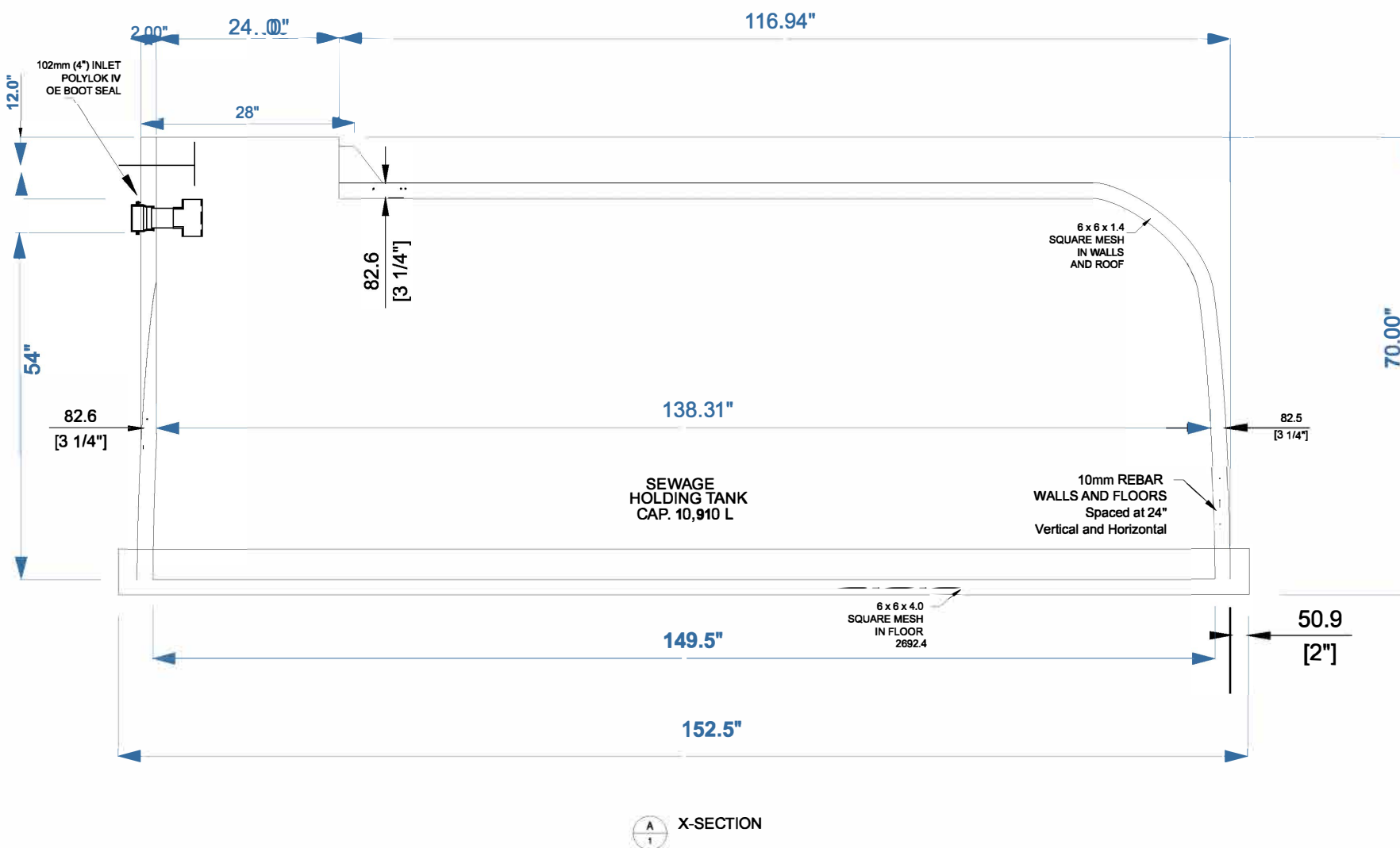


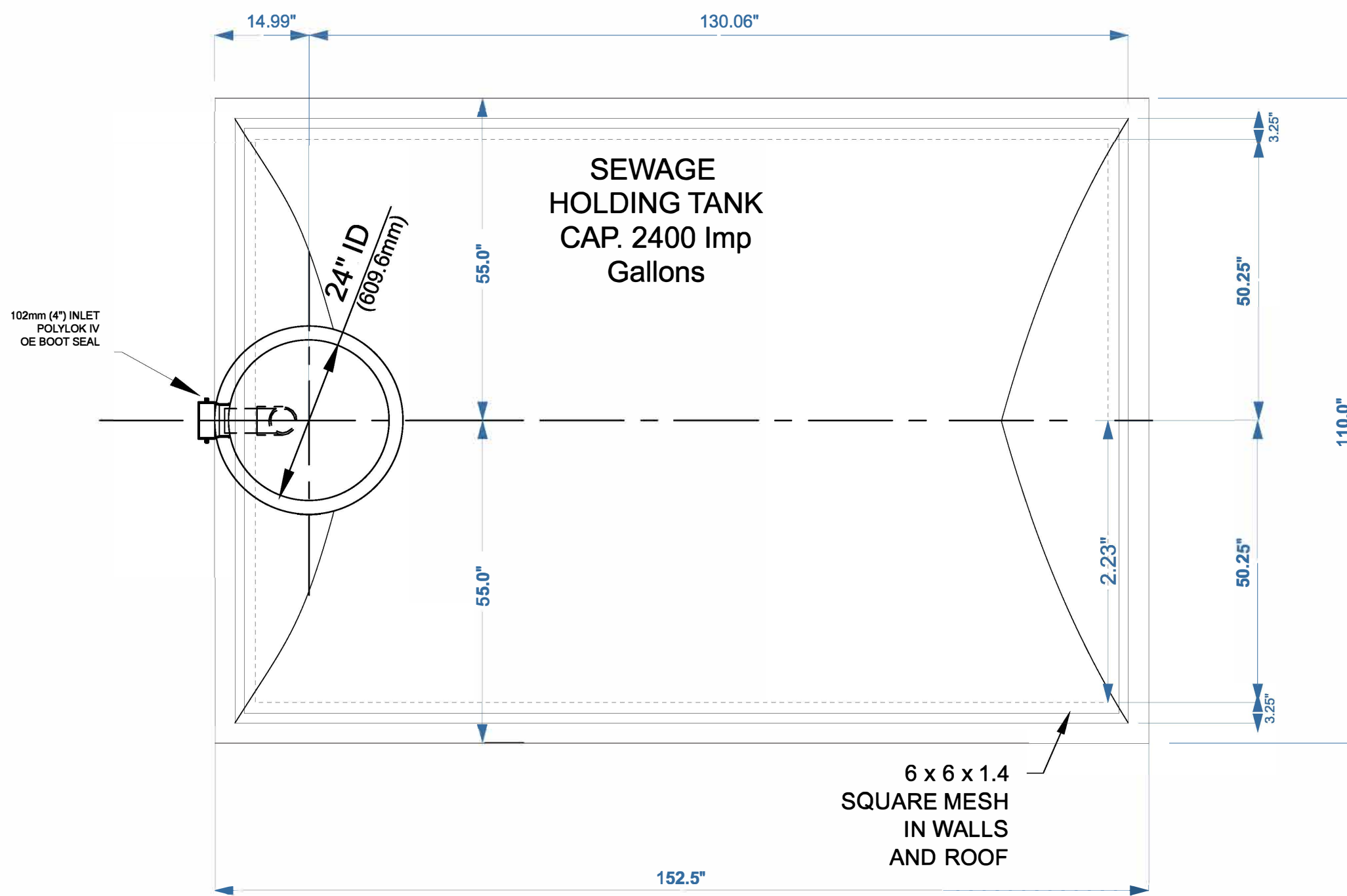
LEFT END VIEW



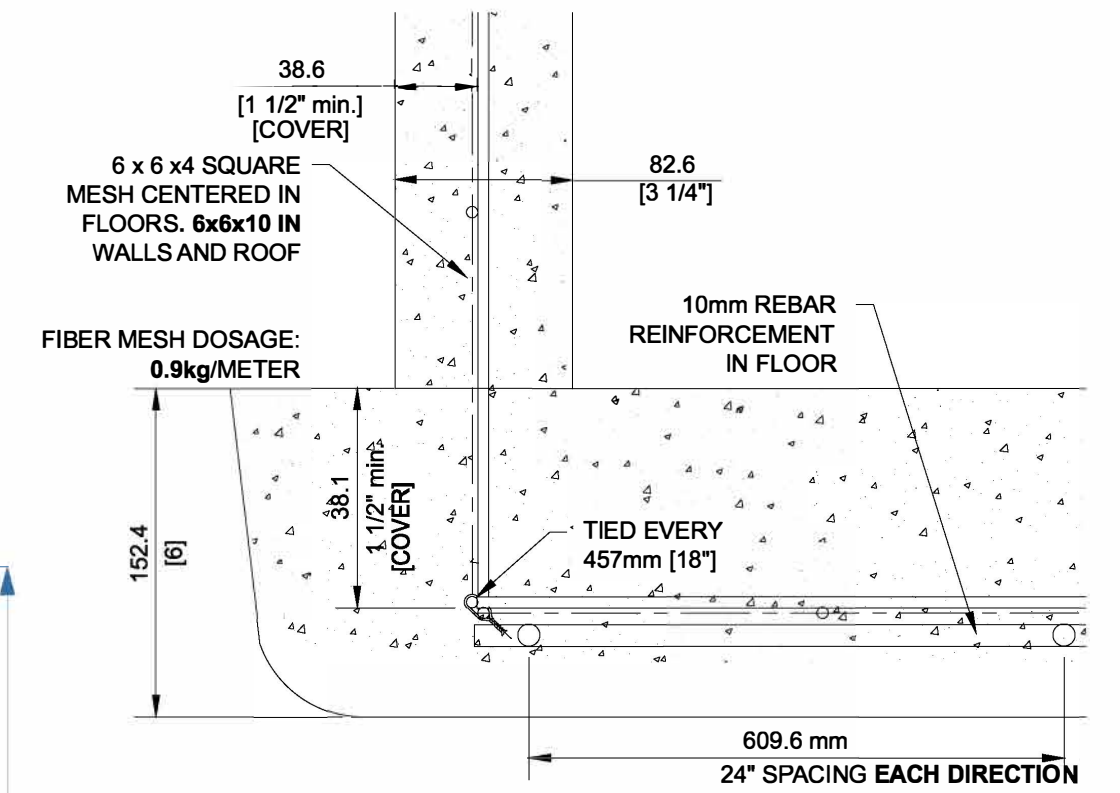
RIGHT END VIEW



X-SECTION



PLAN VIEW



REINFORCEMENT DETAIL

Prepared By:

RAFTING SERVICES
 DRAYTON VALLEY, ALBERTA
 PHONE: (780) 312-3309
 FAX: (780) 312-3361
 EMAIL: CCAMPON@SHAW.CA

10,910 litre- 2400 Imp gallon			
SEWAGE HOLDING TANK MODEL HT 2400 LP			
Drawn By	PROJECT No.	Scale	Drawing Number
CGC	80254152	1:40	D-15130-HT-2400
Rev.			
A			

FABRICATION NOTES:

THIS DRAWING IS THE PROPERTY OF DDI DRAFTING SERVICES AND THEIR CLIENTS. ANY REPRODUCTION IN WHOLE OR PART WITHOUT THE EXPRESS WRITTEN CONSENT IS PROHIBITED.

MODEL:	HT-2400 LP		TOTAL CAP:	2455 Imp. Gallons		WORKING CAP:	2400 Imp. Gallons	
CSA APPROVED	IMP.	METRIC	IMP.	METRIC	IMP.	METRIC	IMP.	METRIC
WIDTH	110"	2599 mm	INLET HEIGHT:	54"	LIQUID DEPTH:			
LENGTH:	152.5"	3766 mm	OUTLET HEIGHT:		FLUSH VOL.:	N/A	N/A	
HEIGHT:	70.5"	1524 mm	WEIGHT:	18,000 lbs	kg	MAX. COVER:	NA"	NA mm
MAX. BURIAL DEPTH:	3.0 M		SERIAL #:			DATE:		

CONCRETE SPECIFICATIONS	
MINIMUM STRENGTH:	35 mPa
FIBER REINFORCEMENT:	1.5" Sika 0.9kg/m ³
CEMENT TYPE:	50
WATER TO CEMENT RATIO:	0.29
AIR ENTRAINMENT:	5 - 8%